

ZG-dSVG



V1.2

&\$% \$%

N ! XGJ;

N ! XGJ;

N ! XGJ;

%	%
% %	%
&	(
&" %	(
&" &	(
&"')
&" (.....	*
'	+
' "%	+
' "&	%"
(.....	%"
(" %	%"
(" &	%"
("'	%"
)	%"
)" %	%"
)" &	%"
)"'	%"
)" (.....	%"
*	%"
*" %	%"
*" &	%"
*"'	%"
*" (.....	%"
+	%"
,	%"
, "%	%"
, "&	%"
, "'	%"
, "(.....	%"
, ")	%"

1

N ! XGJ;

1.1

% % %

¥
¥

% % &

¥
¥

¥
¥
¥
¥
¥

% % '

¥
¥

¥
¥
¥
¥

%'%' (

¥
¥
¥
¥
¥

¥
¥
¥
¥
¥) ()^{c7}

%'%)

¥
¥ '\$
¥

¥

¥
¥
¥

% % *
¥

% % +
¥ N ! XGJ;

N ! XGJ;

2

2.1

%

!% () ž)?#\

&

-\$%f&\$ Ł)%#\ž

3)

,

(Ł

\$\$\$\$a %\$\$\$\$a

)Ł

&<z -<z O\$"' aa

-<z &\$\$<zž

)a#g⁸

ž

*Ł

U

!&\$% Ž% %

V

&\$kJ5

2.1

2.2

%

*kJ %kJ ')kJ

&

%—&\$ AJUF

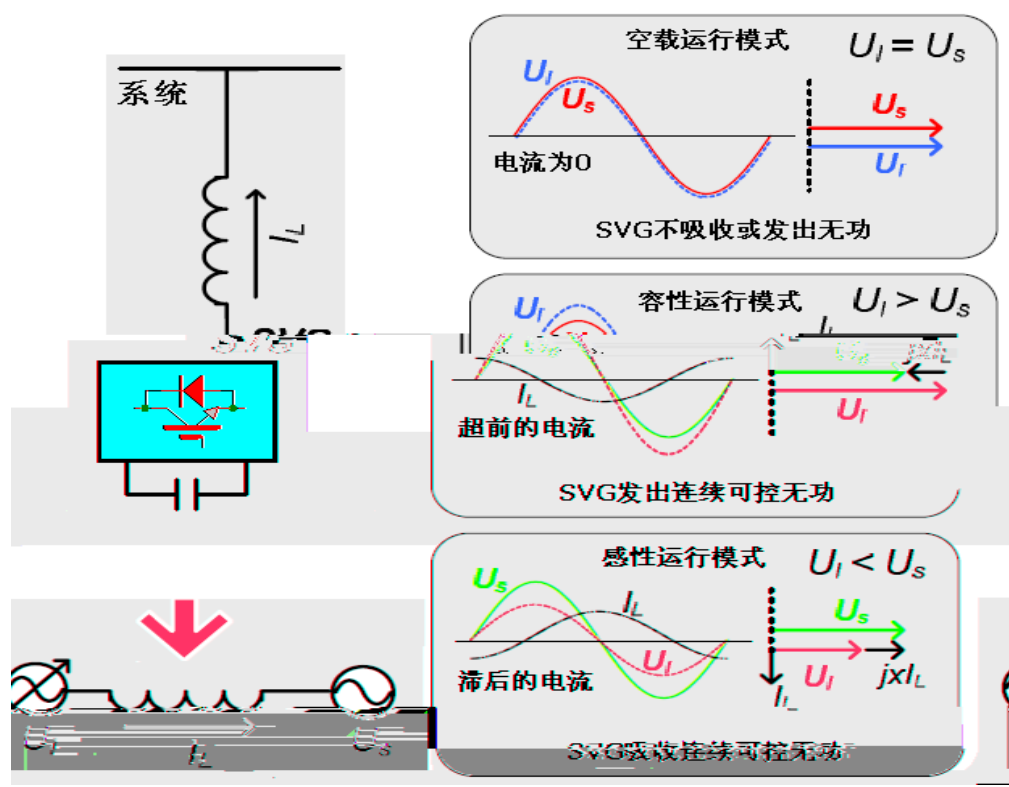
,

- () ag
-) 0 %
- * GJ; 2--%
- + 0%\$\$\$a

2.3

GJ; GH5H7CA

GJ; & %



& %GJ;

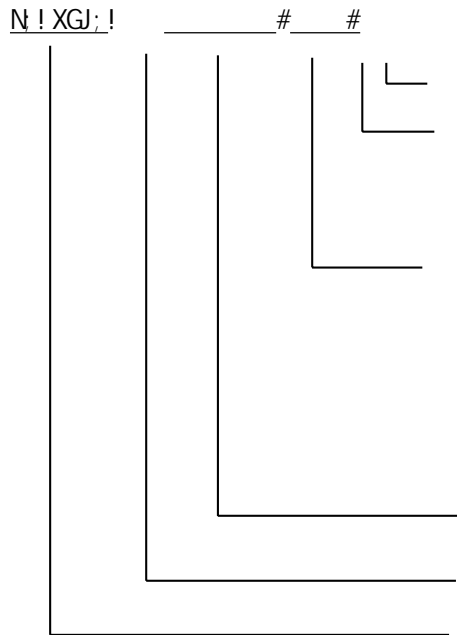
& %

$$I_1 = (U_s - U_1) \div jX_L$$

& %

2.4

N ! XGJ;



5! N \$! -

M

K

\$' ' kJ

\$* *kJ

5\$ 5\$kJ

') ')kJ

kJUF

b < b <

5\$kJ

± &\$\$\$kj Uf

5\$ <

5\$

N ! XGJ; ! 5\$ < &\$\$\$#5\$M5\$

N ! XGJ;

5\$kJ

*5\$5

*5\$5

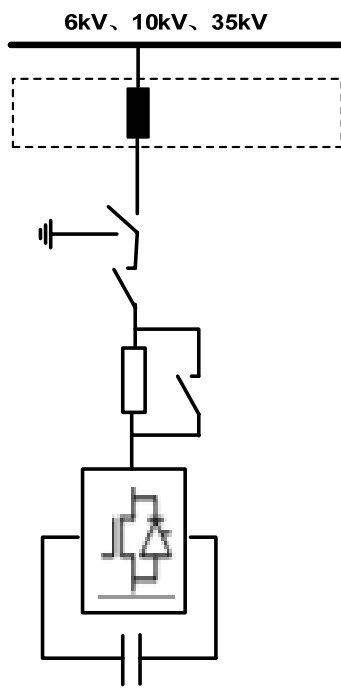
')kJ

N ! XGJ;

3

3.1

N ! XGJ;



' ! %

N ! XGJ;

%

&

,

(

I DG

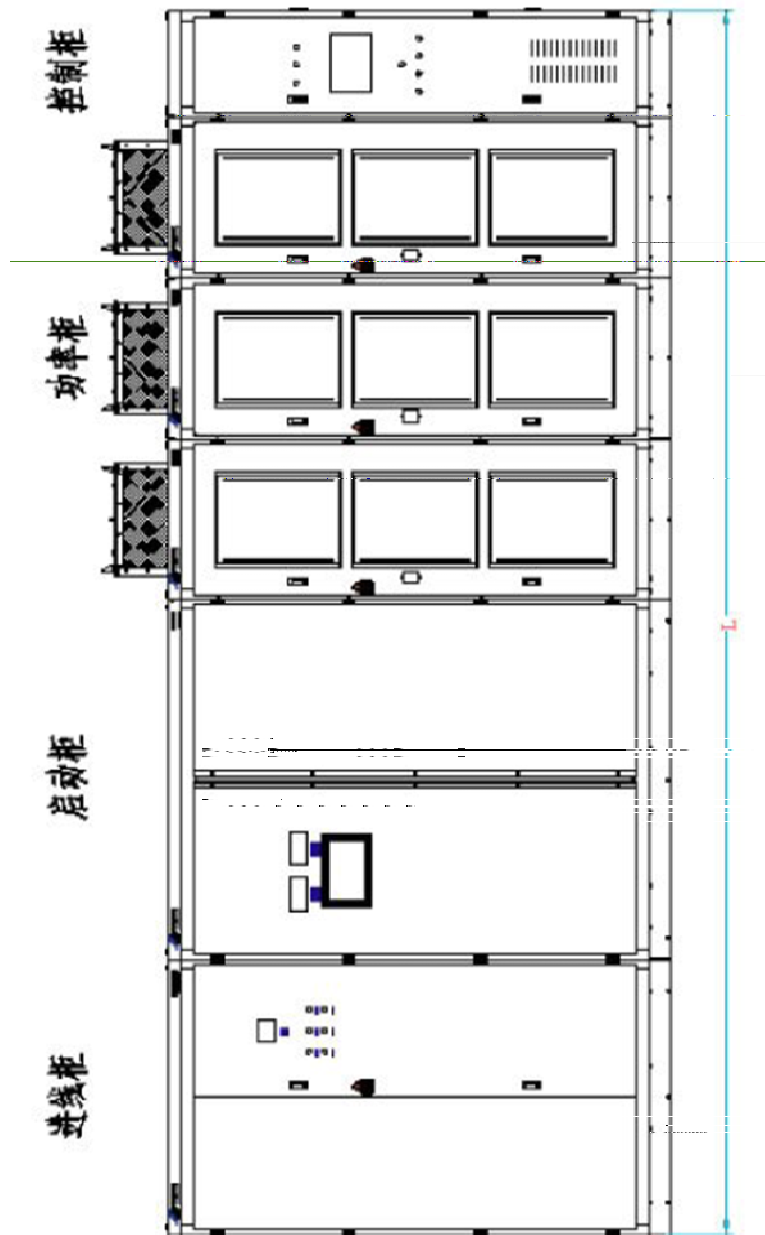
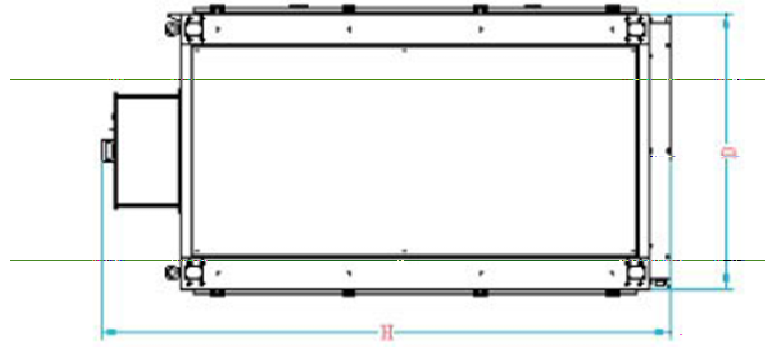
' ! %

' ! &



' ! &

' !



3-3 6kV 10kV ZG-dSVG

% \$kJ ')kJ

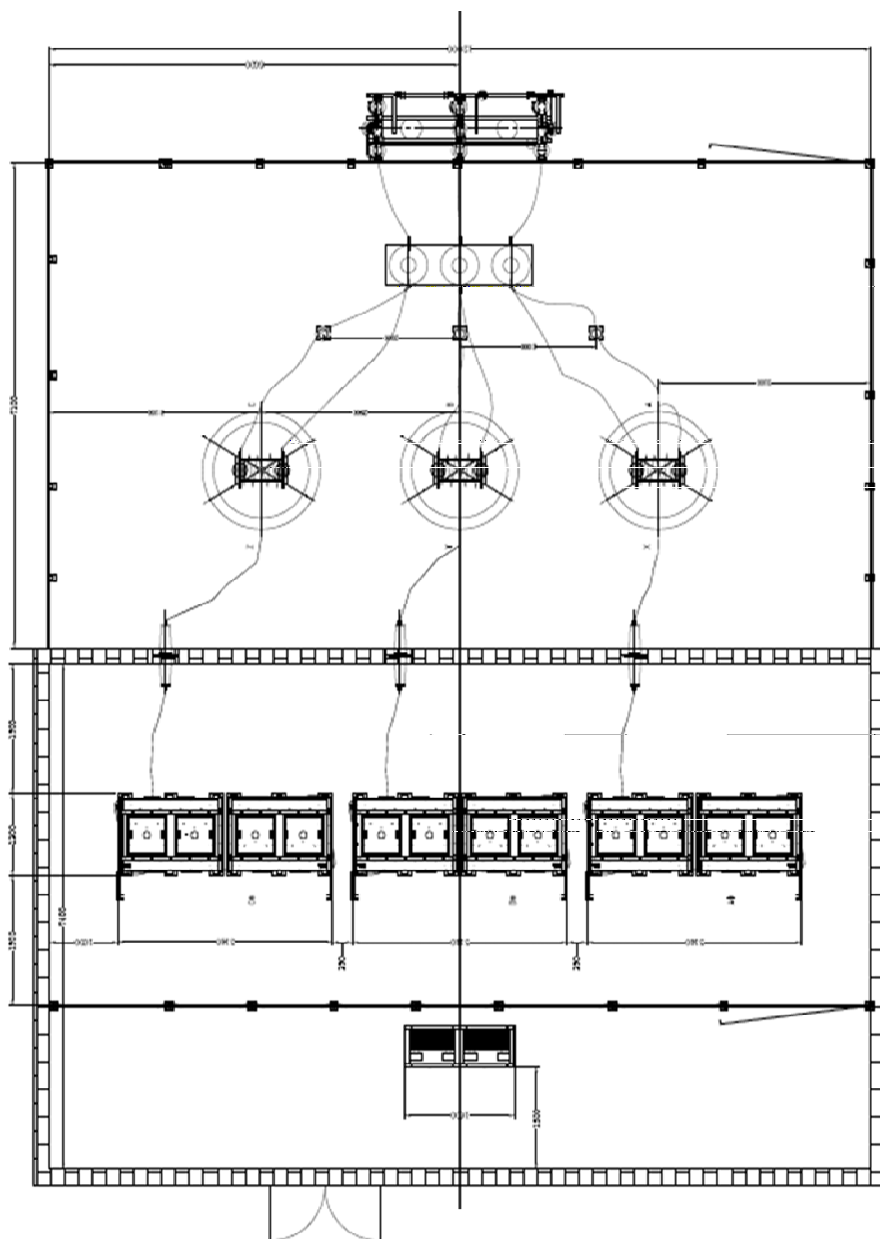
&

' :7

(:7

')kJ N ! XGJ;

' ! (

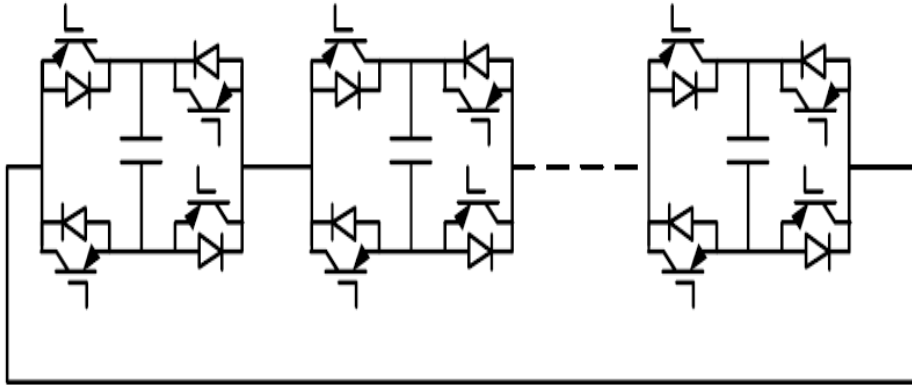


3-4 35kV

ZG-dSVG

3.2

%



'!)

'!)

% N ! XGJ;

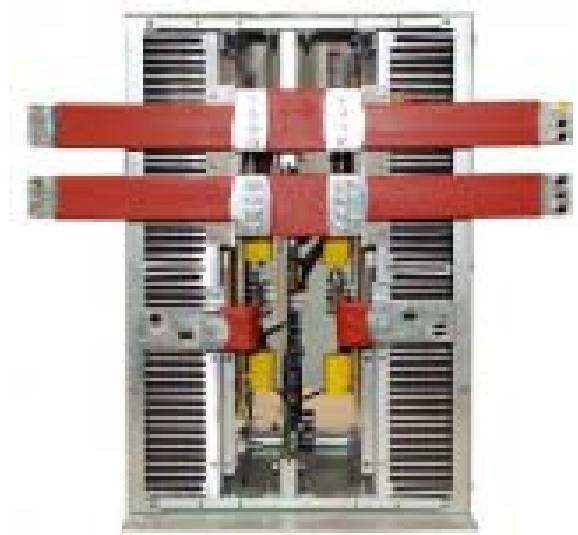
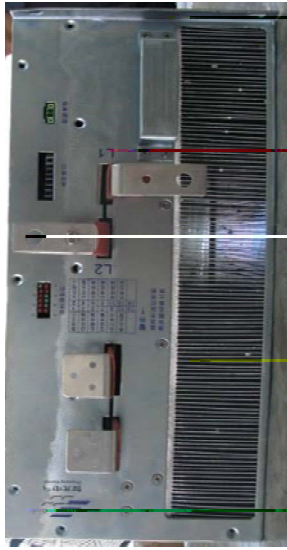
&"

' "

=; 6H

=; 6H

'! * '!' +



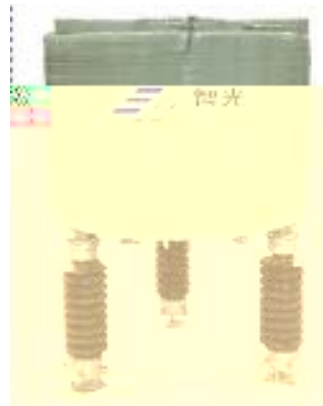
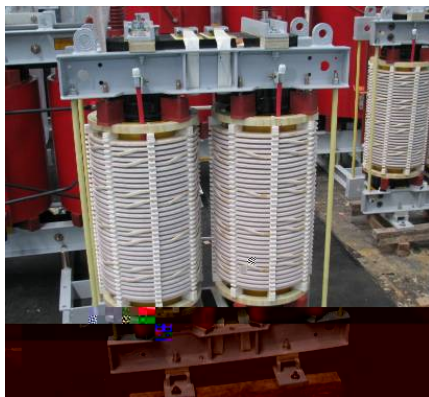
3-6



'!+

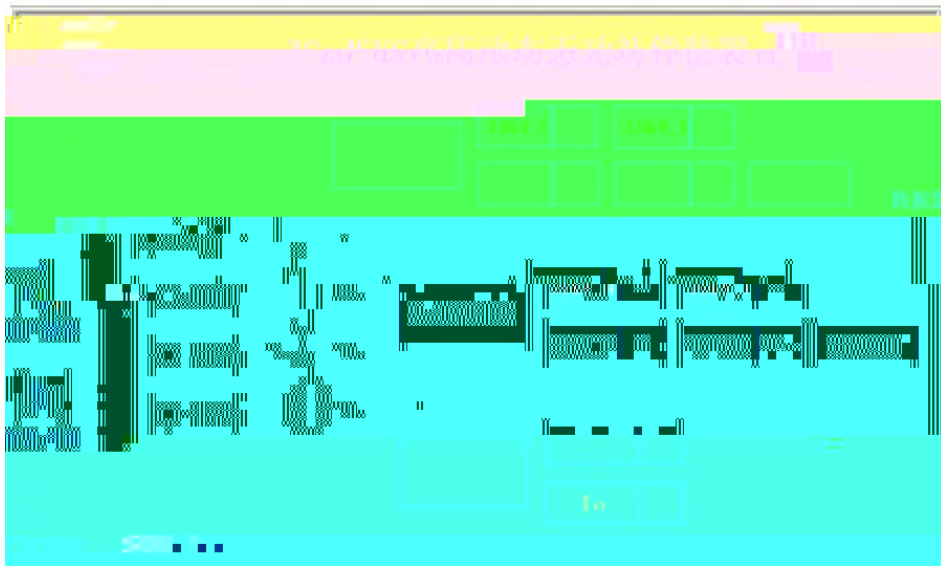
&

N ! XGJ;



'!,

1-



3-9

U

V

W

X

N ! XGJ;

GJ;

#

FG& &#FG(,)

75B

F>()

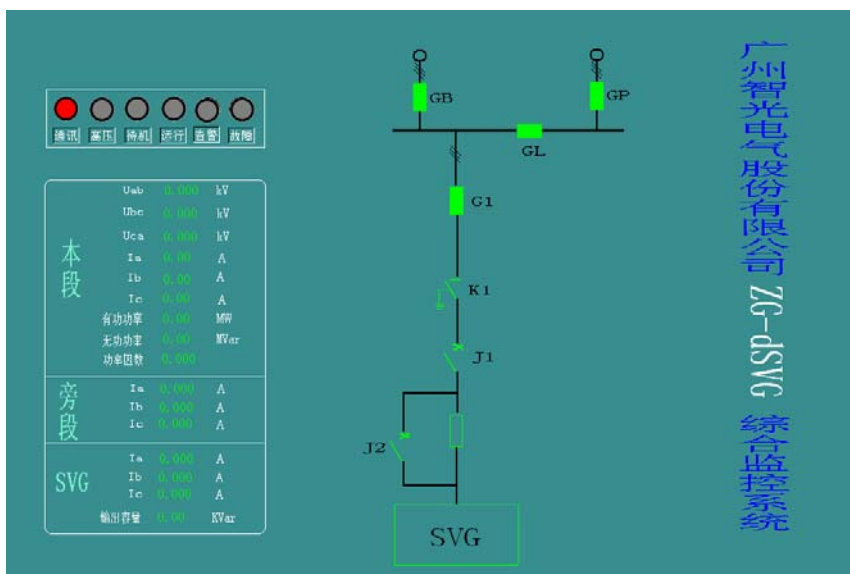
AcXVi g

Df cf] Vi g H7D#=#D =97*%)\$

; DFG

; DFG

4



3-10

%

k] bXckg LD

&

3

1-25

4

6

5

6

7

8

9

10

11

4

4.1

%

	/	

4-1

ZG-dSVG

4.3

TPC7063H

TPC7062K

FG(.)

%

&

%

&"

-\$-\$+\$

' "

4"

N ! XGJ;

5

5.1

1. 380V
2. /
- 3.
- 4.
- 5.
- 6.

5.2

1. 380V
- 2.
- 3.
- 4.
- 5.

5.3

- 1.

2.

380V

3.

4.

5.

6.

7.

5.4

1.

2.

3.

4.

3-6

5.

6.

7.

6

!%\$ fl

ł

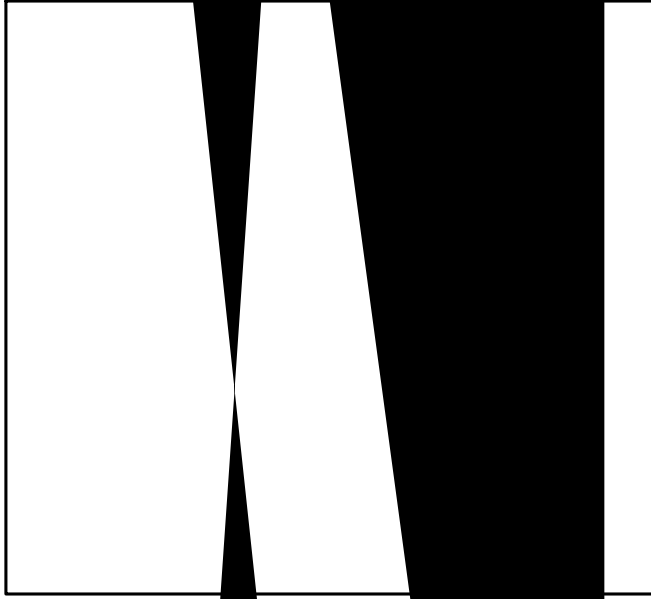
() fl

%\$

ł

)?#\

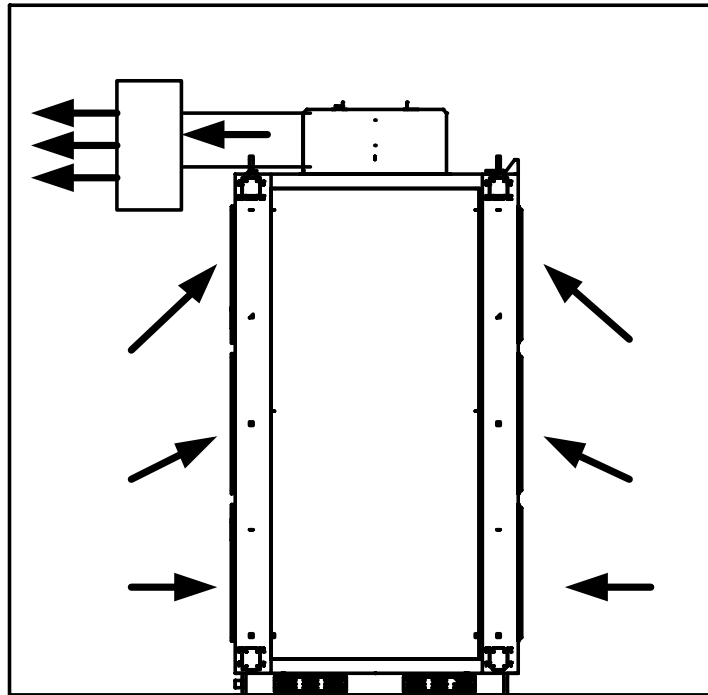
6.1



6.2

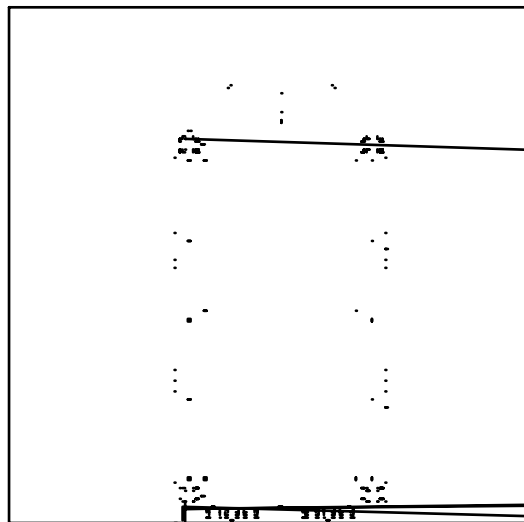
6.3

%



*!

&



6.4

$$G1 = \frac{a^{\frac{1}{5}} + a^{\frac{1}{5}}}{5} \div J \quad *! \%$$

G a^{1/5}

5% ()\$ %

5&)*\$ %

J &a#g

7

N ! XGJ;

+! %

7-1 ZG-dSVG

1		1.IGBT 2. 3. 4. 5.	1. 2. 3. 4.
2		1. 2. 3. 4.	1. 2. 3. 4.
3		1. PT 2. 3. 4. 5. 6. 7.	1. SVG PT 2. 3. 4. 5. 6.
4		1. 2. 3. 4. 5.	1. 2. 3. 4. 5.
5	/	1. 2. 3. 4. 5.	1. 2. 3. 4.
6		1.PT	1.

		2. 3.	2.
7	1/2	1. 2. 3. 4.	1. 2. 3.
8		1. 2. 3. 4.	1. 2. 3.
9		1. 2. 3. 4.	1. 2. 3.
10		1. 2. 3.	1. 2.
11		1. 2.	1. 2.
12		1. 2. 3. 4.	1. 2. 3.
13		1. UPS 2. 3. 4.	1. UPS 2. 3. 4.
14			1. 2.
15		1. 2. 3. PT 4.	1. 2. 3. PT SVG 4. PT
16	/ /	1. 2. 3.	1. 2. 3.
17		1. 2. ± 15V 3. 4.	1. 2. ± 15V 3. 4.

+! &

+! & ZG-dSVG

%		
&		
'	#	#
(
)	#	#
*		
+	#	#

8

8.1

8.2

1

2

3

4

5

8.5